



# BEVERAGE-AIR®

|                 |      |
|-----------------|------|
| Project: _____  | AIA# |
| Item: _____     |      |
| Location: _____ | SIS# |
| Approved: _____ |      |

## SIDE MOUNT UNDERCOUNTER REFRIGERATOR

MODEL:  
UCR41AHC

UCR41AHC Solid Door Refrigerator  
Hydrocarbon Series

UCR41AHC UNDERCOUNTER REFRIGERATOR

**3 Year Parts/Labor Warranty**  
**Additional 4 Year Compressor Warranty**



### CABINET CONSTRUCTION

- Stainless steel front, sides, top, door and grille (galvanized steel back & bottom)
- Interior liner is made of corrosion resistant aluminum
- Full electronic control
- Undercounter feature a 1/2" thick sub-top
- Interior thermometer is standard
- Self-closing doors with 120° stay-open feature
- Magnetic gasket attached to each door for positive seal
- 6" Casters, two (2) with brakes standard
- Two epoxy-coated steel wire shelves
- Field-reversible door

### OPTIONS & ACCESSORIES

- Stainless steel back
- Stainless steel interior
- Additional shelves
- Shelf clips
- Right or left hinged door
- Door locks
- Wire shelf divider
- 3" Casters
- 6" legs (stainless steel, black or seismic/flange)
- Low profile casters
- Roller kit
- Remote option\* (see note on back on page)

### REFRIGERATION SYSTEM

- Uses environmentally friendly, energy efficient R290 refrigerant, and meets all regulatory requirements for CARB, SNAP, DOE & more
- Adaptive defrost
- Epoxy coated evaporator coil
- Refrigerators capable of maintaining product temperature between 36°F and 38°F



Please verify qualifying units by visiting:  
[www.energystar.gov/cfs](http://www.energystar.gov/cfs)

3779 Champion Blvd., Winston-Salem, NC 27105  
1-888-845-9800 Fax: 1-336-245-6453  
Beverage-Air.com Sales@bevair.com



# BEVERAGE-AIR

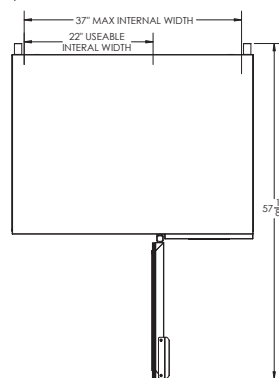
| MODEL                              | UCR41AHC          |
|------------------------------------|-------------------|
| <b>EXTERNAL DIMENSIONAL DATA</b>   |                   |
| Width Overall                      | 41"               |
| Depth Overall with Handle & Bumper | 34 3/4"           |
| Height Overall with 6" Casters     | 34 1/2"           |
| Number of Doors                    | 1                 |
| Depth with Door Open 90°           | 55 1/8"           |
| Door Opening                       | 21 5/8" x 23 1/2" |
| <b>INTERNAL DIMENSIONAL DATA</b>   |                   |
| NET Capacity (cubic ft.)           | 7.94              |
| Internal Width Overall (in)        | 37"               |
| Internal Depth Overall (in)        | 26"               |
| Internal Height Overall (in)       | 25"               |
| Number of Shelves                  | 2                 |
| <b>ELECTRICAL DATA</b>             |                   |
| Full Load Amperes                  | 3.0               |
| <b>REFRIGERATION DATA</b>          |                   |
| Horsepower                         | 1/5               |
| Capacity (BTU/Hr)                  | 1350              |
| <b>SHIPPING DATA</b>               |                   |
| Gross Weight - Crated              | 261 lbs           |
| Height - Crated                    | 46"               |
| Width - Crated                     | 44"               |
| Depth - Crated                     | 37"               |

\*NOTE: Remote units are field wired and come with 6" legs. Refrigerant must be specified at time of order.

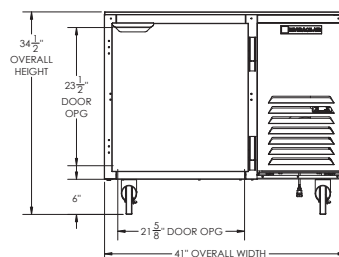
## Undercounter Refrigerator-Side Mount Models: UCR41AHC

### Model Views

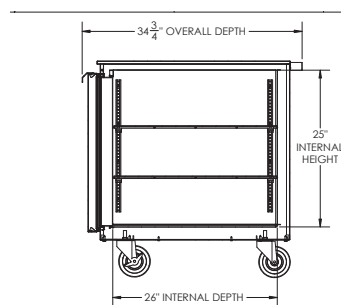
Required Clearance: 3 3/16" bottom & 2" rear



### PLAN VIEW



### ELEVATION VIEW



### SIDE VIEW

### \*ELECTRICAL CONNECTION



115/60/1  
NEMA 5-15P

Unit pre-wired at factory and include 8' long cord and plug set.



3779 Champion Blvd., Winston-Salem, NC 27105 1-888-845-9800 Fax: 1-336-245-6453 Beverage-Air.com Sales@bevair.com

an Ali Group Company



The Spirit of Excellence